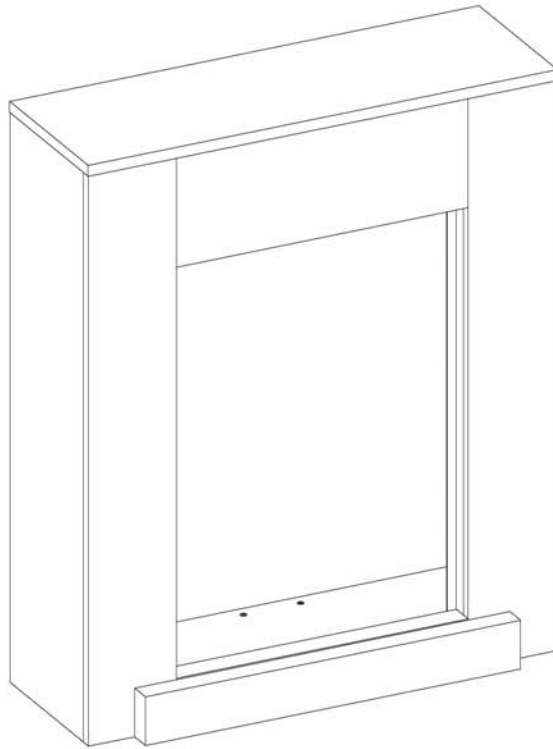


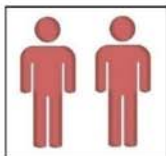
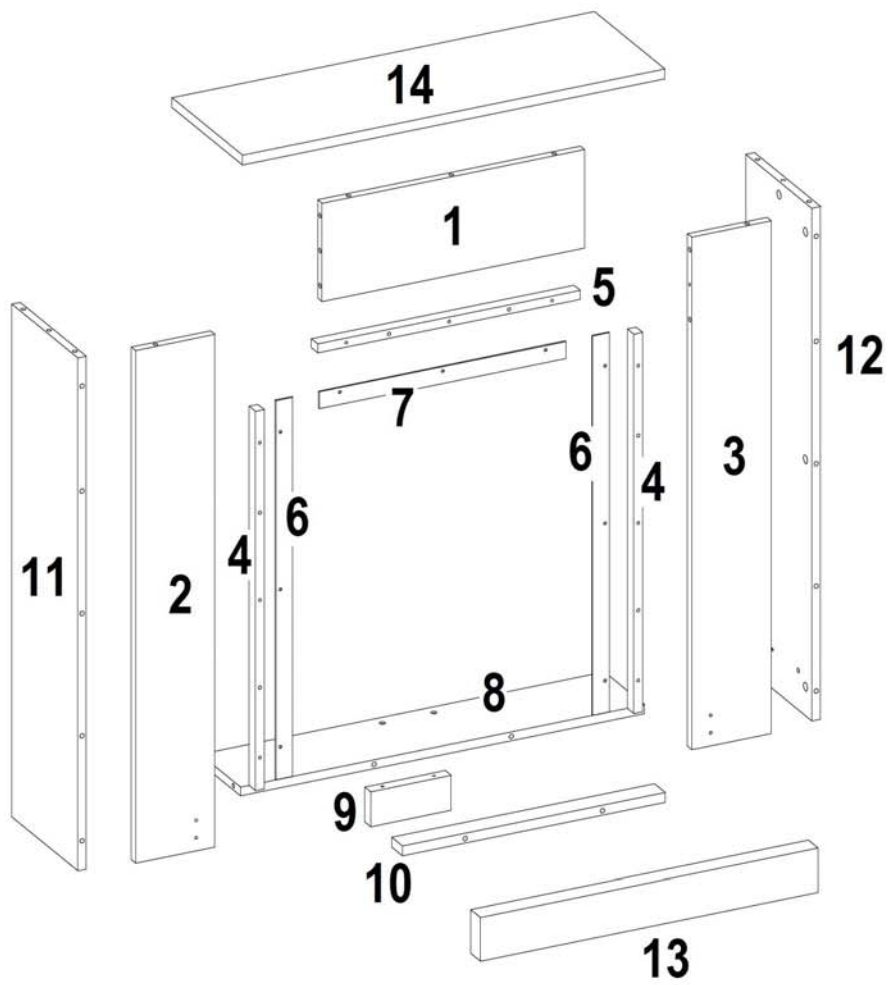
# HAMAR

## INSTRUCTION

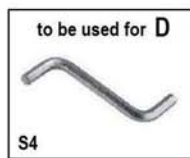










**IMPORTANT:** Please read this instruction carefully, keep for further reference and check all parts before assembling.

V1.0\_August\_2017

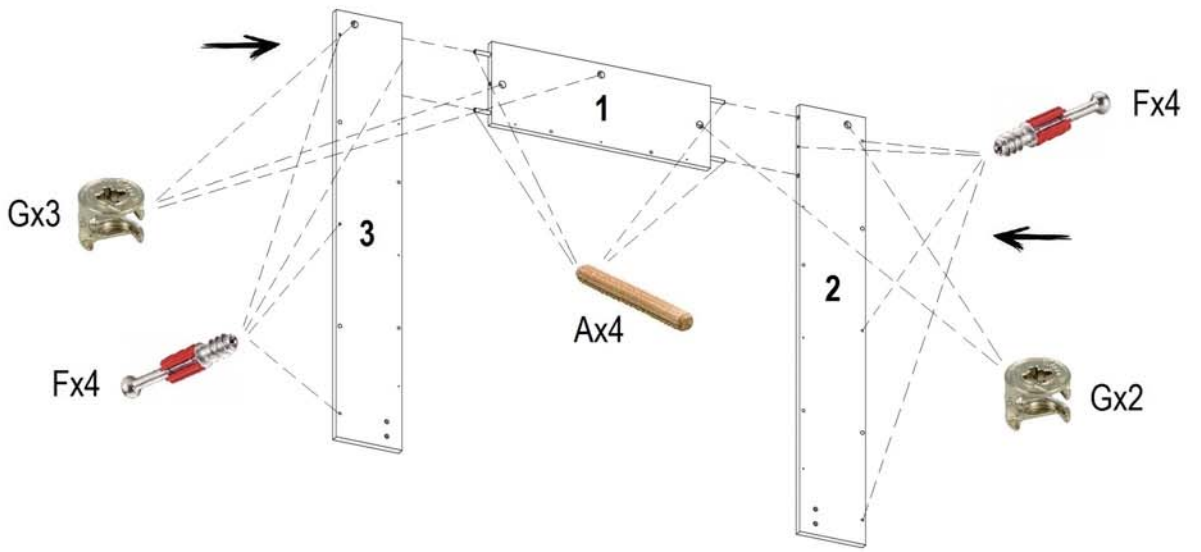


**TOOL LIST**

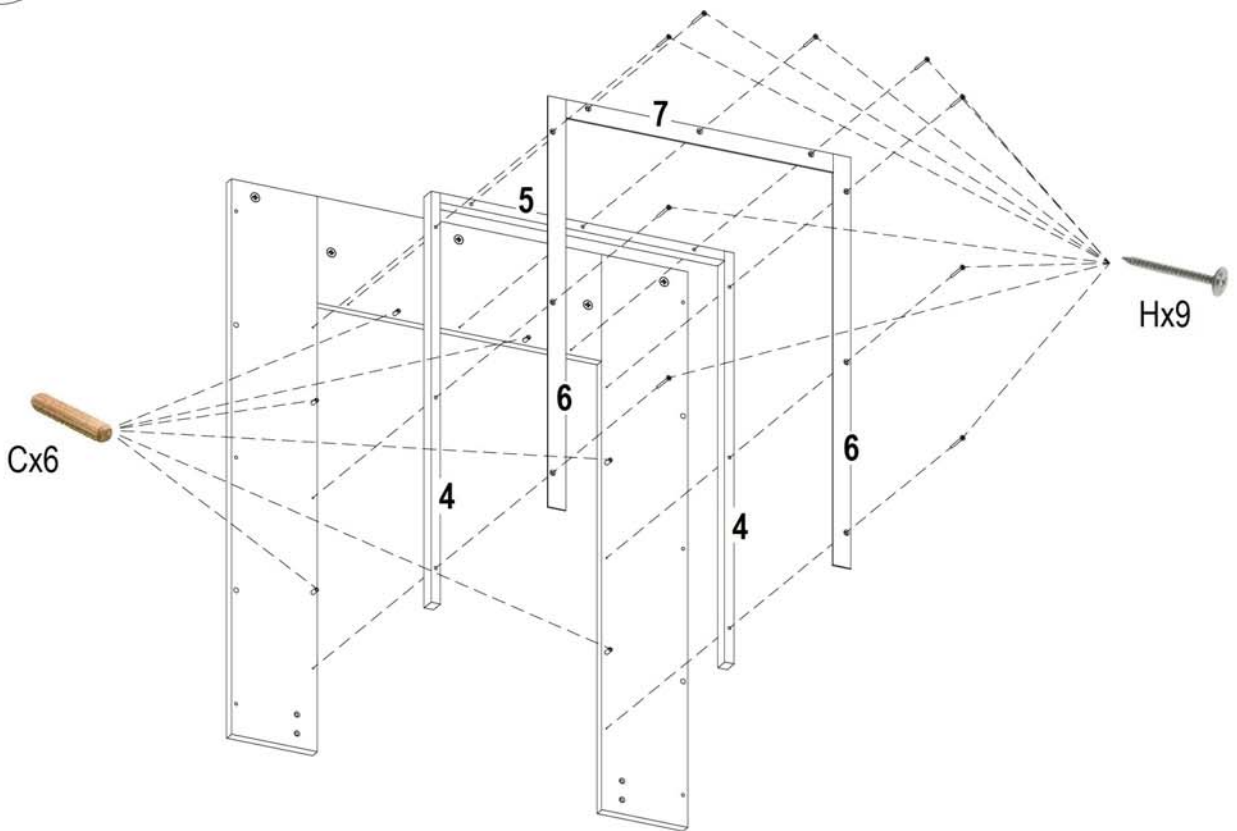


 8x70 A x 6	 8x35 B x 12	 6x25 C x 6	 "50" D x 2	 3,5x30 E x 4	 F x 15	 G x 15	 3,5x40 H x 9
--	---	--	--	--	---	--	--

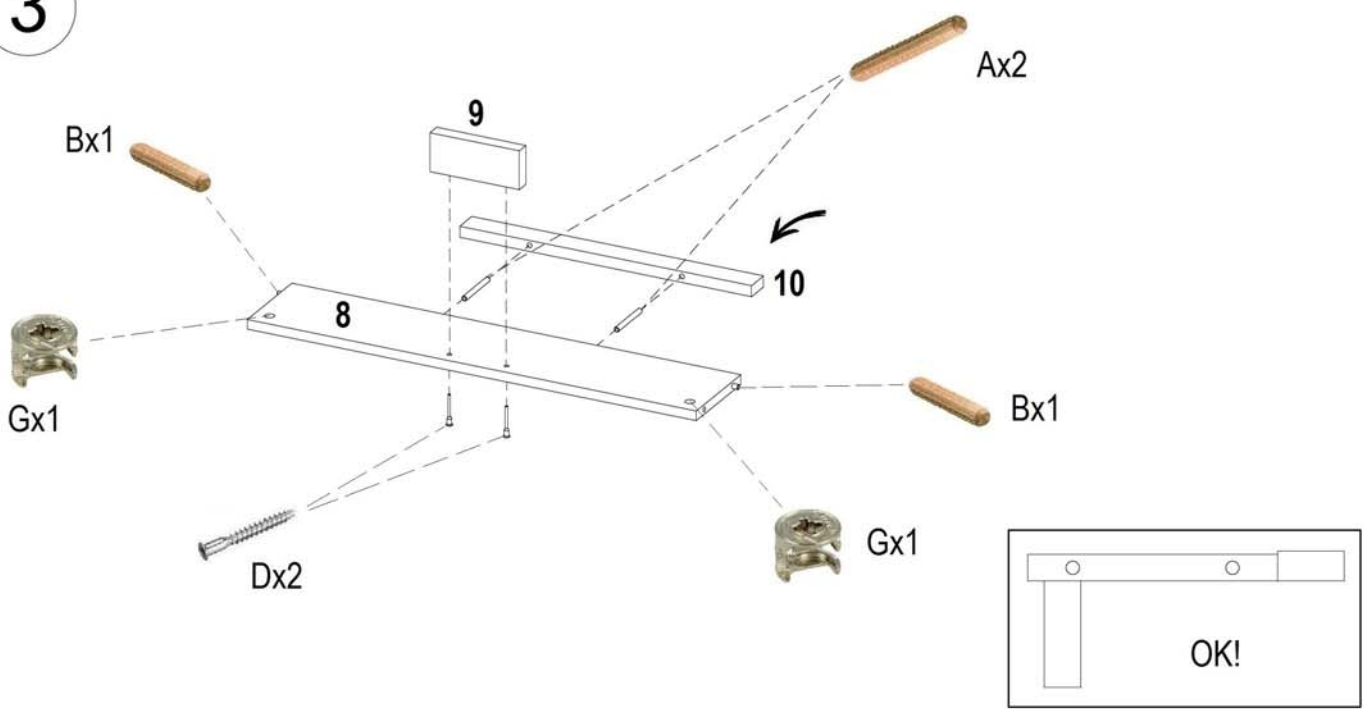
1



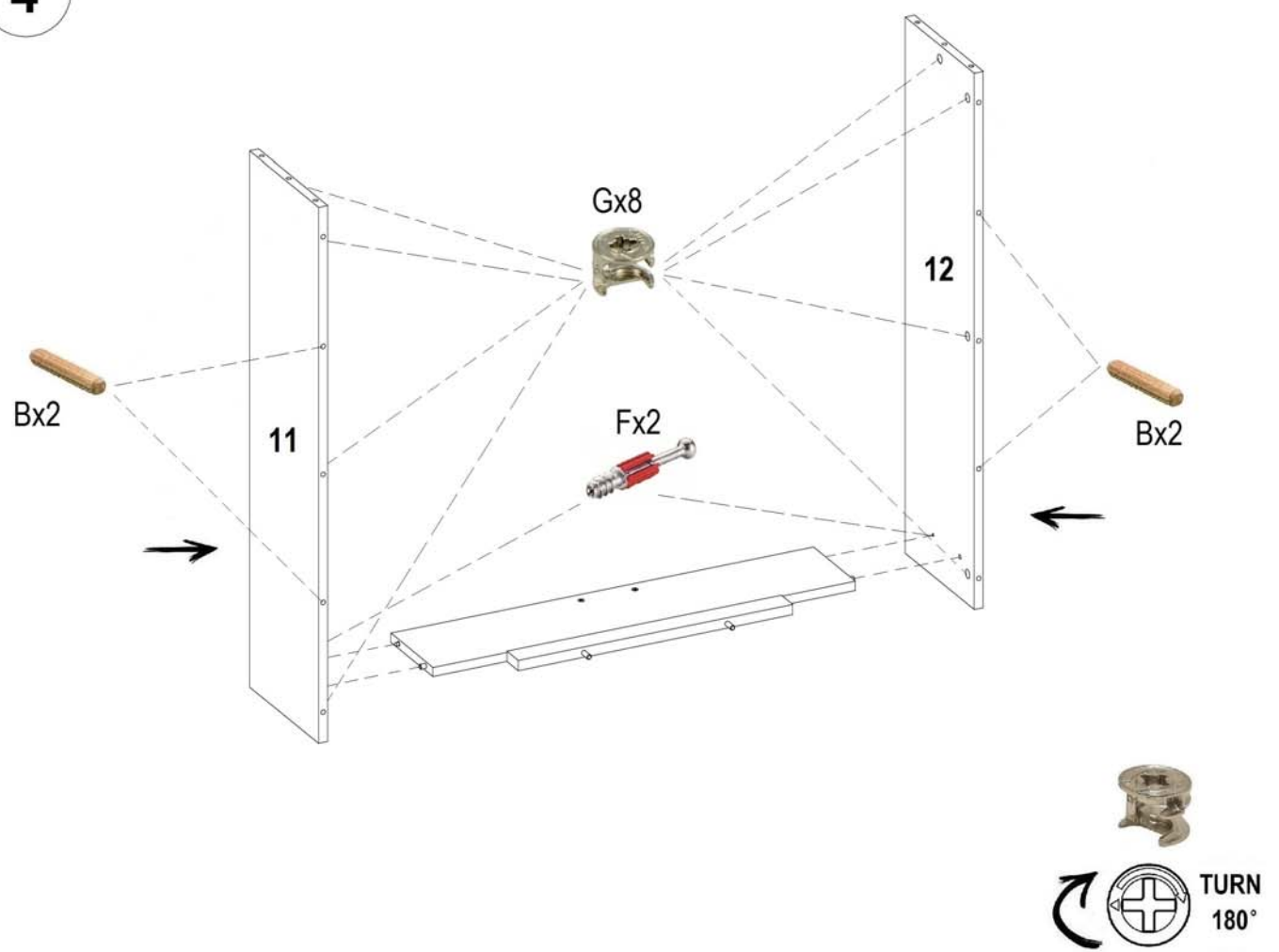
2



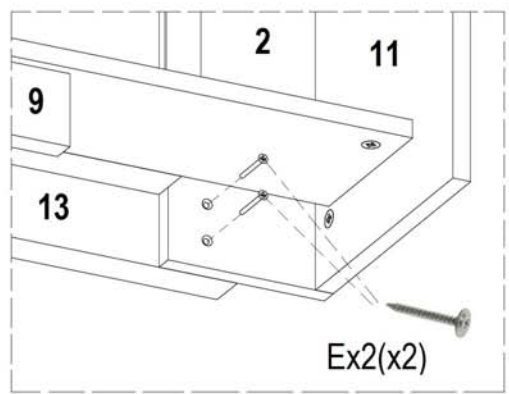
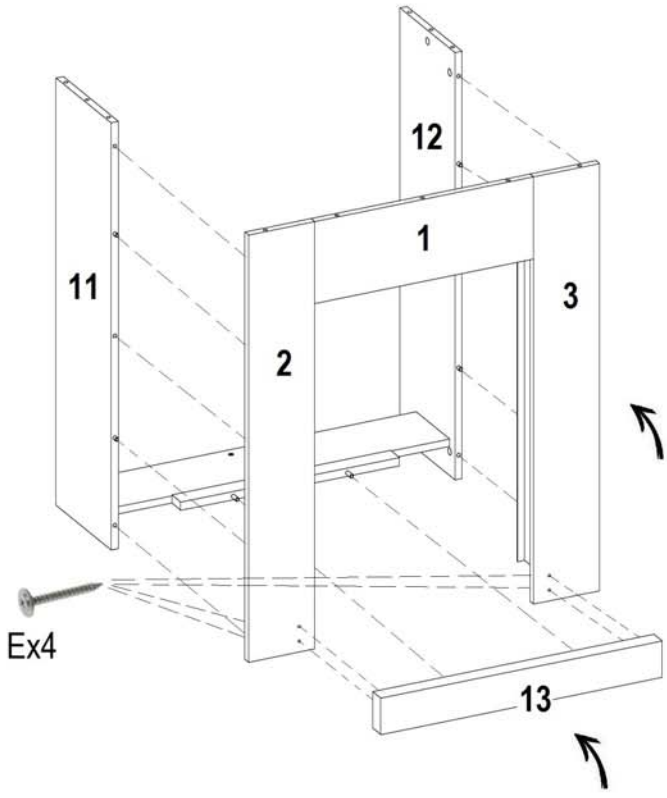
3



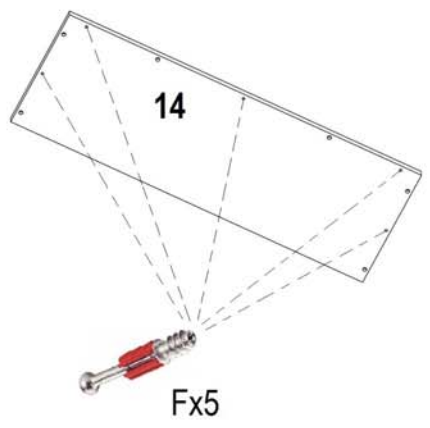
4



5



6



7

